

FU-36

LOW LOSS CE UL CLIP-ON SPLIT CORE CURRENT TRANSFORMER

FU-36 split core current transformer is low cost ac current sensor, measuring AC current from 5A to 600 Amps passing through the center conductor. This model has four diameter version (10mm, 16mm, 24mm and 36mm), suite for all kinds of customers application. Split core CTs are designed for fast and easy installation. The split core design permits non-contact current measurements through magnetic field induction without requiring that the primary wire be taken offline and disconnected for CT installation. This method permits a safer, easy and portable current measurement.

Features

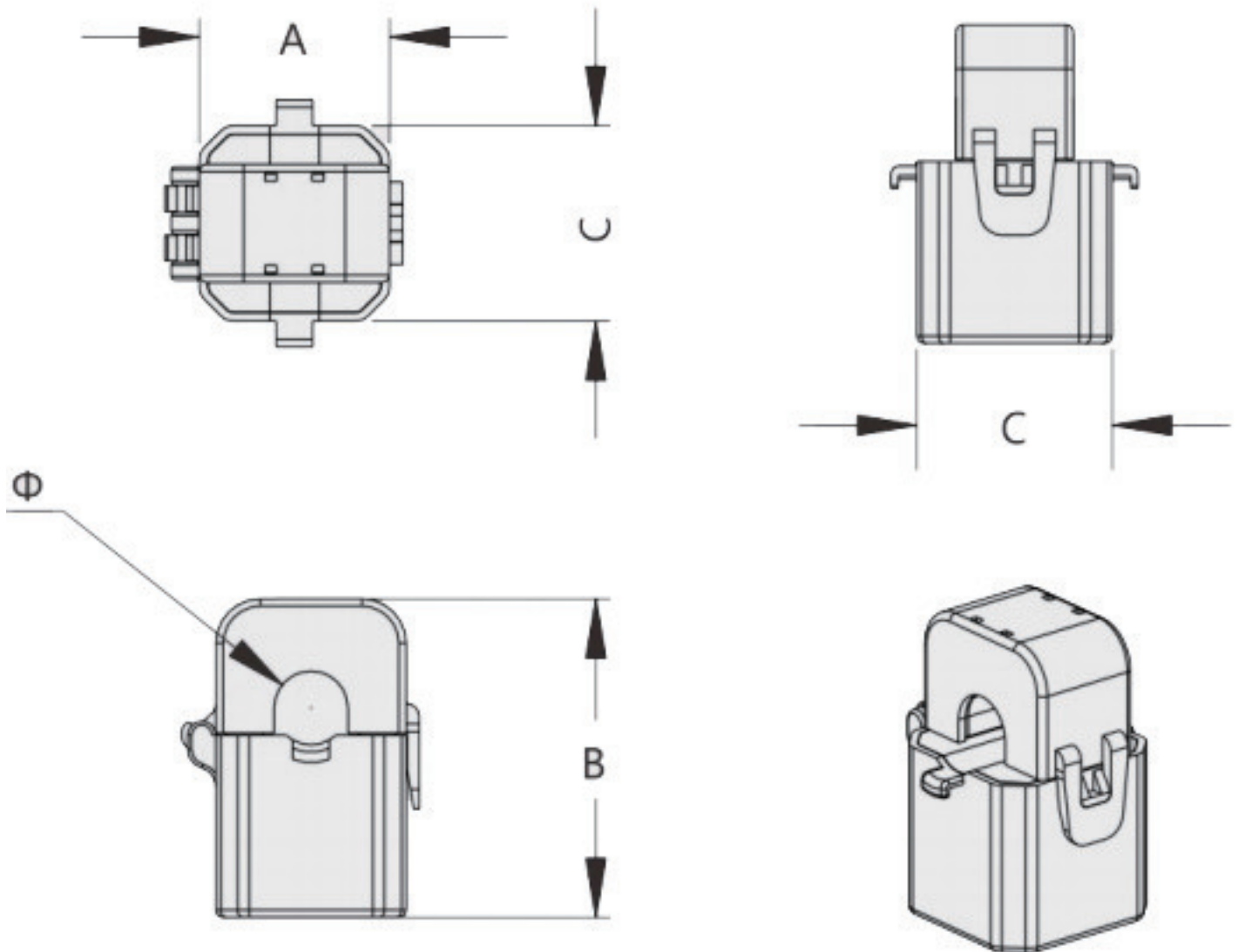
1. High accuracy 0.5;
2. Faster installation;
3. Most cost-effective;
4. CE, UL / EN 61010 - 1 certified;
5. Small-size, compact size, light-weight;
6. Measurement range of 1mA to 600A AC;
7. Low phase shift for power measurement;
8. Over-Voltage protection circuit is installed;
9. Safe and Easy installation to distribution panels;
10. Output model: Lead output(2m)-can be customized;
11. Isolated plastic case recognized according to UL94-V0;
12. Holding wire diameter: $\phi 10\text{mm}$, $\phi 16\text{mm}$, $\phi 24\text{mm}$, $\phi 36\text{mm}$;
13. Using high magnetic silicon steel, good linearity and high sensitivity;



Application

1. Load Center;
2. Power Measurement Device For PLC;
3. Digital Fault Recorders;
4. Energy meter current measurement;
5. Three Phase Balance Control;
6. Sub-Metering Accurate Measurement;
7. Power quality analyzer meter;
8. Inverters for Solar & Wind Turbine Systems;
9. Smart Grid Application Features;
10. HEMS (Home Energy Management System);
11. Various power monitoring systems;
12. BEMS (Building Energy Management System);
13. In-Factory Display In-Home Display;
14. Data Loggers to analyze Building & Machinery Performance;

Outline drawing



Parameters

Technical parameters

Standards	IEC/EN60044-1 & IEC61010-1 & IEC61869-2&ANSI C57.13
Ratio	1000: 1, 2000:1 or 2500:1 , customized
Nominal input current (Primary current)	5A/10A/20 A/30A/40A/50A/60A/75A/80A/100A/150A/ 200A/250A/300A/400A/500A/600A
Overload withstand	1.2 times rated current continuously
Accuracy	0.2%, 0.5 % , 1%
System Voltage	720V(0.72kV)

Technical parameters - continued

Output signal	5mA-200mA, 1A, 5A AC optional 333mV AC or 100mV-2V optional
Frequency range	40 Hz....500 Hz
Dielectric strength	2.5KV 50Hz/60Hz at 1 minute
Output	Standard 2 meter cable
Protection Level	3.0V0-P
Installation Category	CAT IV 600V AC IEC/EN 61010-1
Internal structure	Snap-fit Design
Installation and fixation method	Ribbon
Max. jaw opening	10 mm, 16mm, 24mm, 36mm
Material	Silicon steel sheets+Enameled wire+ABS+ 94V-0
Color	Black

Mechanical parameters

Dimensions (WxDxH) (mm)	26 × 43 × 27;31 × 50 × 30; 43 × 73 × 39;60 × 89 × 43
Weight (g)	100, 120, 200, 350

Operating conditions

Operating temperature	-25 to +55°C
Relative Humidity	0-85% non-condensing
Using Environment	Indoor
Altitude	<3000 meters
Condition	No existence of severely begrimed, erosive and radioactive gas in the air. Permission of long-term operation under rated current.

Technical Data

Type	FU-36		
Purpose	Measuring current transformer		
Ratio	Accuracy class		
I_1/I_2	0.2	0.5	1
5A/333mV	YES	YES	YES
10A/333mV	YES	YES	YES
20A/333mV	YES	YES	YES
50A/333mV	YES	YES	YES
60A/333mV	YES	YES	YES
100A/333mV	YES	YES	YES
150A/333mV	YES	YES	YES

200A/333mV	YES	YES	YES
300A/333mV	YES	YES	YES
400A/333mV	YES	YES	YES
500A/333mV	YES	YES	YES
600A/333mV	YES	YES	YES
5A/2.5mA	YES	YES	YES
10A/5mA	YES	YES	YES
20A/10mA	YES	YES	YES
50A/25mA	YES	YES	YES
60A/30mA	YES	YES	YES
100A/50mA	YES	YES	YES
150A/75mA	YES	YES	YES
200A/100mA	YES	YES	YES
50A/50mA	YES	YES	YES
60A/60mA	YES	YES	YES
100A/100mA	YES	YES	YES
150A/150mA	YES	YES	YES
200A/200mA	YES	YES	YES
100A/100mV	YES	YES	YES
100A/1V	YES	YES	YES
100A/2V	YES	YES	YES
100A/5V	YES	YES	YES
100A/10V	YES	YES	YES
200A/1V	YES	YES	YES
200A/2V	YES	YES	YES
200A/5V	YES	YES	YES
200A/10V	YES	YES	YES
100A/1A	YES	YES	YES
200A/1A	YES	YES	YES
300A/1A	YES	YES	YES
400A/1A	YES	YES	YES
500A/1A	YES	YES	YES
600A/1A	YES	YES	YES
200A/5A	YES	YES	YES
300A/5A	YES	YES	YES
400A/5A	YES	YES	YES
500A/5A	YES	YES	YES
600A/5A	YES	YES	YES

Selection Guide

Model	Primary rated current	Rated load	Secondary output	Aperture (mm)	Description (mm)	Weight (kg)
FU-16	5-200A	≤10 Ohm	333mV,1V, 5V,100mA	φ16	38 x 55 x 18	0.06
FU-32	100-600A	≤10VA	333mV,1V, 5V, 1A, 5A	φ32	110 x 130 x 41	0.7
FU-36	100-600A	≤2.5VA	333mV,1V, 5V, 1A, 5A	φ10, φ16, φ24, φ36	26 x 43 x 27 31 x 50 x 30 43 x 73 x 39 60 x 89 x 43	0.1, 0.12, 0.2, 0.35
FU-80	100-1200A	≤5VA	333mV,1V, 5V, 1A, 5A	φ30, φ55, φ80	88 x 129 x 28 108 x 155 x 28 138 x 193 x 28	0.4, 0.55, 0.6
FU-100	300-3000A	≤10VA	333mV,1V, 5V, 1A, 5A	φ100	170 x 184.5 x 41	1
FU120	200-4000A	≤10VA	333mV,1V, 5V, 1A, 5A	120 x 130, 120 x 30	166 x 110 x 49 166 x 208 x 49	1.2, 1.7
FU160	100-5000A	≤20VA	1A,5A	160 x 80	144 x 227 x 54	2.8