

## GFJDZX0978-10BG

### 10KV HIGH ACCURACY INDOOR VOLTAGE TRANSFORMER

GFJDZX0978-10BG 10KV HIGH ACCURACY INDOOR VOLTAGE TRANSFORMERS are designed for metering and protection applications. This product has the characteristics of high efficiency and large capacity, and can be customized according to customer requirements.

The primary and secondary coils are wound using special winding and shielding techniques for improved voltage stress distribution. Each coil is carefully insulated with mylar film to provide a high dielectric medium between layers. The completed winding structure and double-loop cores are assembled to a support frame.

For insulation and protection, the assembly is cast in hydrophobic cycloaliphatic epoxy (HCEP) using automatic vacuum pressure. The HCEP material offers superior arc track, ozone, and ultraviolet-resistive properties while maintaining physical strength. The hydrophobic surface properties of HCEP ensure highly reliable performance in wet, humid, or polluted environments

It can be used for 10KV distribution line, Coal mine, power plant, Rail way, Factories... Strictly Comply IEC60044-2; IEC 61869-1,3; ANSI/IEEE C57.13

### Features

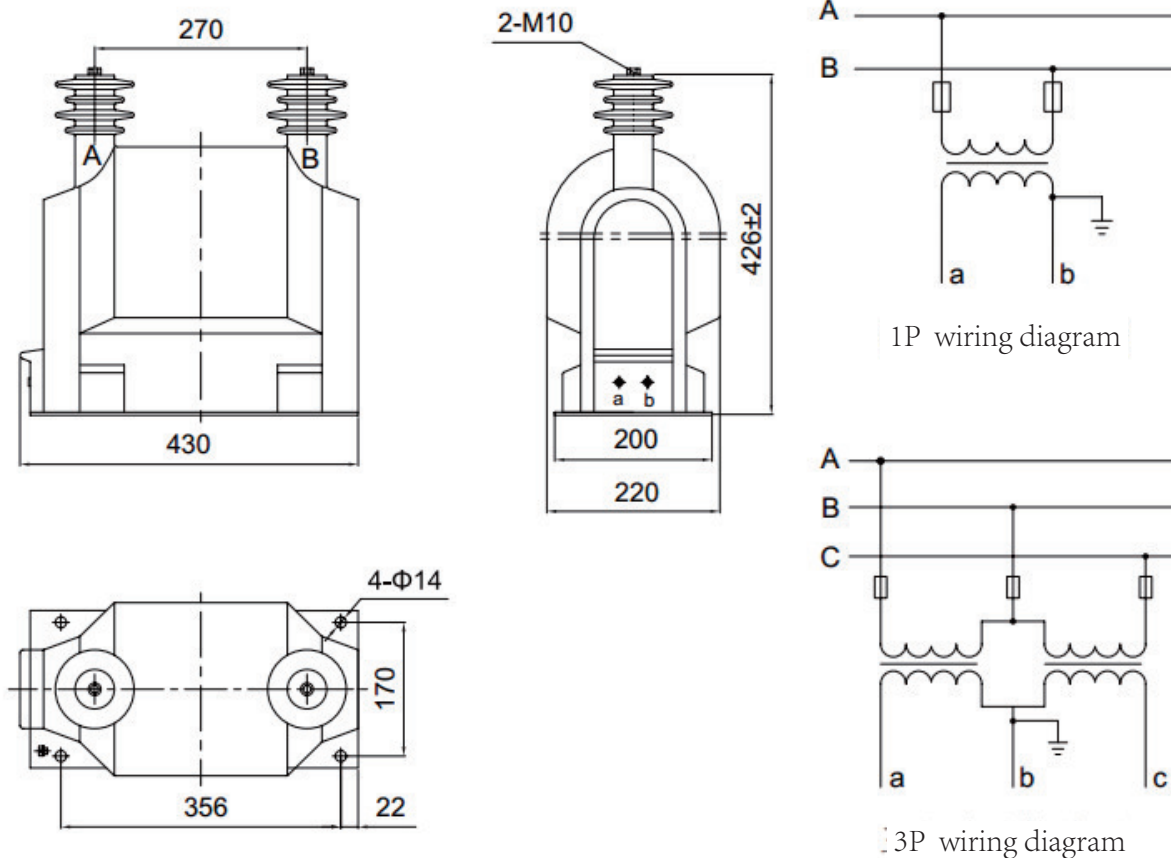
1. Weight: 30KG;
2. Using Life: 30 years;
3. Material: Epoxy (HCEP);
4. Accuracy: 0.2, 0.5, 1, 3P, 6P;
5. Single-phase multi-winding;
6. Rated voltages up to 12 kV;
7. 12KV 11KV 10KV 6KV 3KV indoor;
8. Rated basic insulation levels (BIL) up to 75 kV;
9. Reasonable structure and robust construction;
10. Rated Voltage Ratio:  $10/\sqrt{3}/0.1/\sqrt{3}/0.1/\sqrt{3}/0.1/3$ ;
11. Limiting Thermal Output (VA): 1000VA or 2\*500VA;
12. Excellent short circuit and thermal withstand capabilities;
13. IEC60044-2, IEC 61869-1,3 & ANSI/IEEE C57.13 Standards;



## Applications

- |                            |                                |  |
|----------------------------|--------------------------------|--|
| 1. Rail way;               | 2. Coal Mine;                  | 3. Power Plant;                        |
| 4. Power Meter;            | 5. Power station;              | 6. MV switchgears;                     |
| 7. Oil, gas company;       | 8. Distribution system;        | 9. Air insulation cabinet;             |
| 10. Electric Power Bureau; | 11. MV Power Quality Analyzer; | 12. Industrial and mining enterprises; |

## Outline drawing



## Parameters

Technical parameters	
Standards	IEC60044-2; IEC 61869-1,3; ANSI/IEEE C57.13; GB20840-1,3
Rated Voltage	12KV, 11KV, 10KV, 6KV
Rated load	≤250VA
Secondary voltage output	100V, 110V, 120V, 220V, 380V
Limiting Thermal output	1000VA

### Technical parameters - continued

Rated frequency	50Hz or 60Hz
Cosø	0.8 (lag)
Phase number	Single
Class	0.2, 0.5, 1, 3, 3P, 6P
Windings	single, double
Rated insulation level	12/42/75KV, 7.2/32/60KV
Using type	Indoor, double pole
Application	Measurement and Protection
Insulation class	E
Class of pollution	II

### Mechanical parameters

Material	Epoxy resin
Weight (kg)	30

### Operating conditions

Operating temperature	-25°C to +55°C
Daily average temp	<+40°C
Storage temperature	-40°C to +70°C
Relative Air Humidity	15%-85%
Altitude	<1000 meters
Condition	No existence of severely begrimmed, erosive and radioactive gas in the air. Permission of long-term operation under rated current.

## Technical Data

Model	Rated Voltage Ratio(KV)	Class	Accuracy class and Rated output(VA)				Limiting Thermal output(VA)
			0.2	0.5	1.0	6P	
GFJDZX0978-11BG	11/0.11/0.11	0.2/6P	50	120	250	100	1000
GFJDZX0978-10BG	10/0.1/0.1	0.5/6P					
GFJDZX0978-6BG	6/0.1/0.1	1/6P					