

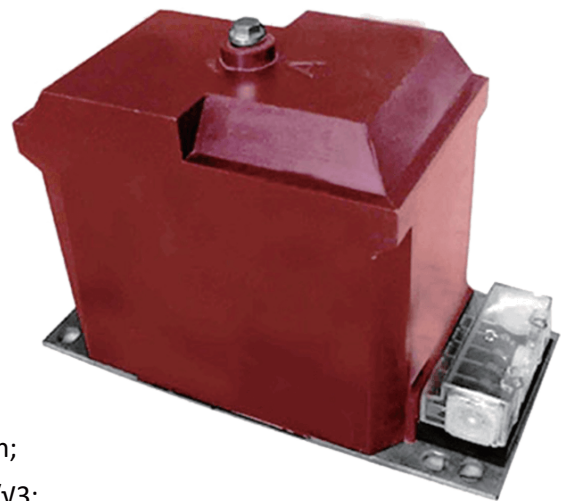
GFJDZX1053-10

11KV & 12KV HIGH ACCURACY INDOOR POTENTIAL TRANSFORMER

GFJDZ1053-10 High accuracy Indoor voltage transformer is used for metering and relaying on less than 12kV circuits. This product has the characteristics of high precision and large capacity, and can be customized according to customer requirements. It is used by Air insulation cabinet, as protection potential transformer and measurement potential transformer in less than 12KV power system. It was designed with reasonable structure and robust construction. Its Limiting Thermal Output can reach 200(VA)It has excellent short circuit and thermal withstand capabilities. Strictly Comply IEC60044-2; IEC 61869-1,3; ANSI/IEEE C57.13.

Features

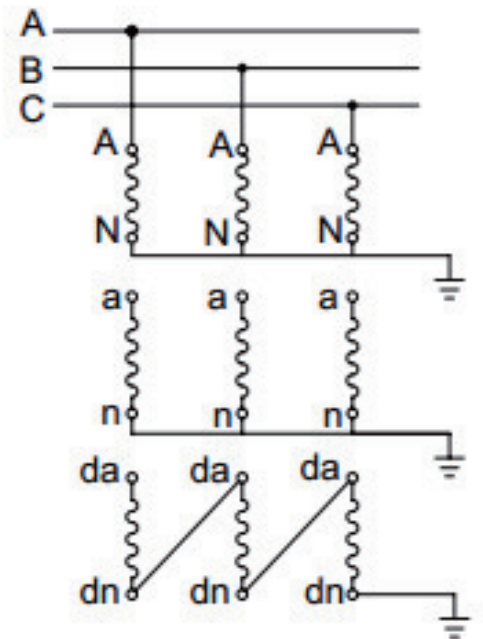
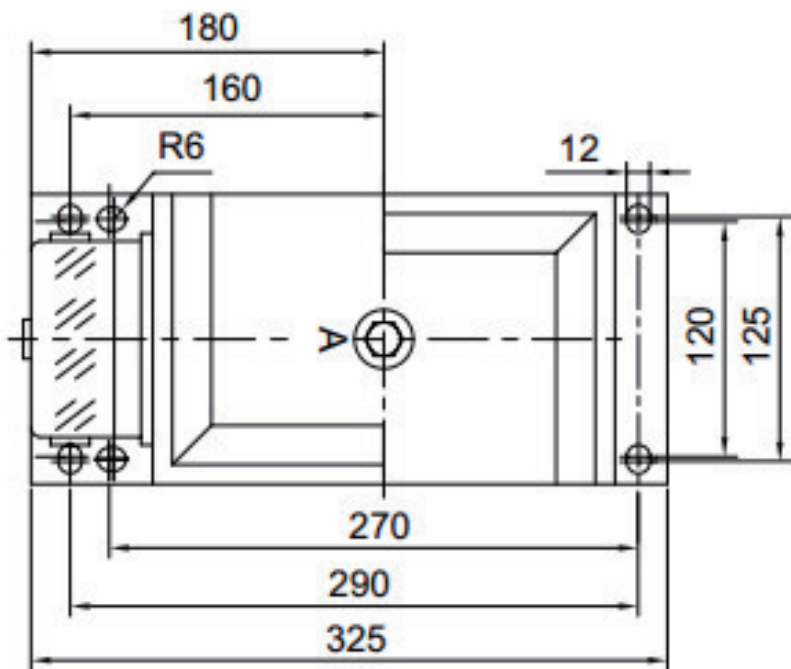
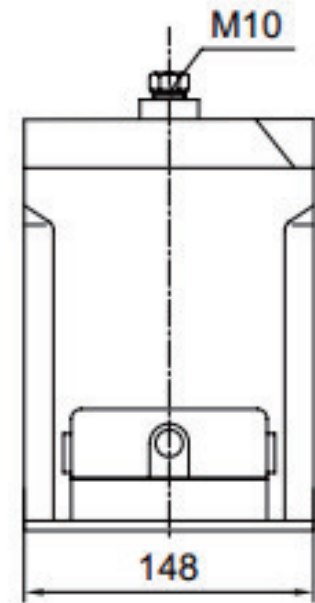
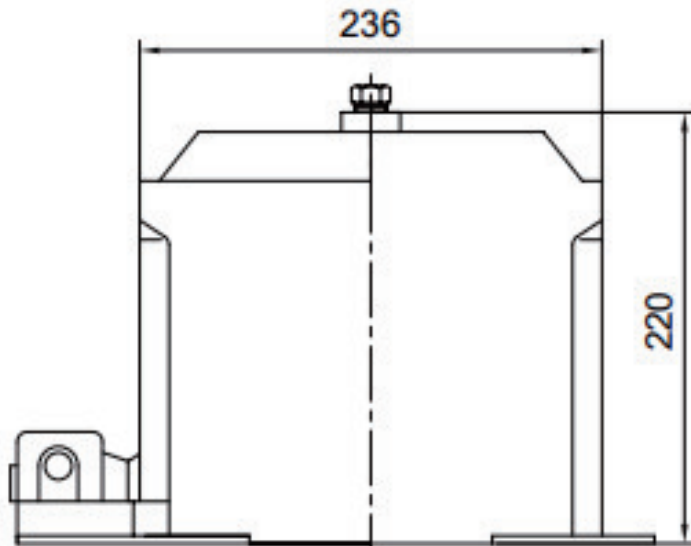
1. Weight:18.5KG;
2. Small size design;
3. Rated voltages up to 12 kV;
4. Accuracy class: 0.2, 0.5, 1, 3, 3P, 6P;
5. Limiting Thermal Output 200(VA);
6. Measuring and protection class using;
7. Rated basic insulation levels (BIL) up to 75 kV;
8. Reasonable structure and robust construction;
9. Material: Epoxy Resin and High quality silicon steel;
10. IEC60044-2; IEC 61869-1,3; ANSI/IEEE C57.13 standard;
11. Excellent short circuit and thermal withstand capabilities;
12. Convenient installation, suitable for installation in any location;
13. Rated voltage ratio (KV): $3/\sqrt{3}$ or $6/\sqrt{3}$ or $10/\sqrt{3}$ or $11/\sqrt{3}$ / $0.1/\sqrt{3}$;



Applications

- | | |
|----------------------------|-------------------------------|
| 1. Rail way; | 2. Coal Mine; |
| 3. Power Plant; | 4. Power Meter; |
| 5. Energy meter; | 6. Power station; |
| 7. MV switchgears; | 8. Distribution system; |
| 9. Air insulation cabinet; | 10. Ring network cabinet; |
| 11. Measuring instrument; | 12. MV Power Quality Analyzer |

Outline drawing



Parameters

Technical parameters	
Standards	IEC60044-2; IEC 61869-1,3; ANSI/IEEE C57.13
Accuracy Class	0.2, 0.5, 1, 3, 3P, 6P
Rated Voltage	12KV, 11KV, 10KV, 6KV, 3KV
Rated load	≤150VA
Secondary voltage output	100V, 110V, 120V, 220V, 240V
Rated frequency	50Hz or 60Hz
Cosφ	0.8 (lag)
Phase number	Single
Connection method	Star
Rated insulation level	12/42/75KV, 7.2/32/60KV, 3.6/25/40KV
Class of pollution	II
Mechanical parameters	
Material	Epoxy resin
Weight (kg)	18
Operating conditions	
Operating temperature	-25°C to +55°C
Daily average temp	<+40°C
Storage temperature	-40°C to +70°C
Altitude	<1000 meters
Condition	No existence of severely begrimed, erosive and radioactive gas in the air. Permission of long-term operation under rated current.

Technical Data

Model	Rated Voltage Ratio(KV)	Accuracy class and Rated output (VA)						Limiting Thermal Output(VA)
		0.2	0.5	1	3	3P	6P	
GFJDZX1053-10	12/√3/0.12/√3/0.12/√3	15	30	60	150	50	50	200
GFJDZX1053-10	11/√3/0.11/√3/0.11/√3							
GFJDZX1053-10	10/√3/0.1/√3/0.1/√3							
GFJDZX1053-6	6/√3/0.1/√3/0.1/√3							
GFJDZX1053-3	3/√3/0.1/√3/0.1/√3							