

## GFLZFW2-24W3

### 24KV HIGH ACCURACY MEDIUM VOLTAGE OUTDOOR CURRENT TRANSFORMER

This model GFLZFW2-24W3 outdoor dry type current transformer is used in 15kV, 17.5kV, 20kV, 22kV and 24kV power system, for measuring and protection. It has been used in outdoor pole mounted and transmission line. This product has the characteristics of high efficiency and large capacity, and can be customized according to customer requirements.

For insulation and protection, the assembly is cast in hydrophobic cycloaliphatic epoxy (HCEP) using automatic vacuum pressure. The HCEP material offers superior arc track, ozone, and ultraviolet-resistive properties while maintaining physical strength. Primary and secondary use pure electrolytic copper, both winding and core have high voltage shielding processing. The hydrophobic surface properties of HCEP ensure highly reliable performance in wet, humid, or polluted environments

It can be used for less than 24KV distribution line, Coal mine, power plant, Rail way, factories... The instrument current transformers are strictly in conformity with IEC60044, IEC 61869, ANSI/IEEE C57.13, NBR6855 etc.

## Features

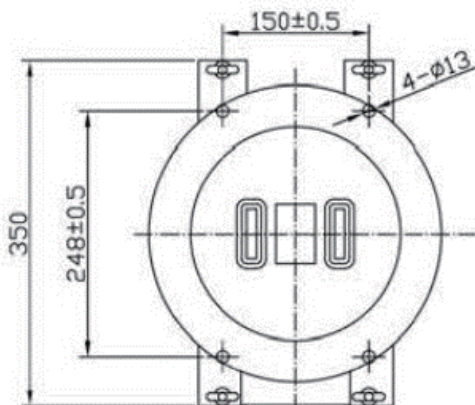
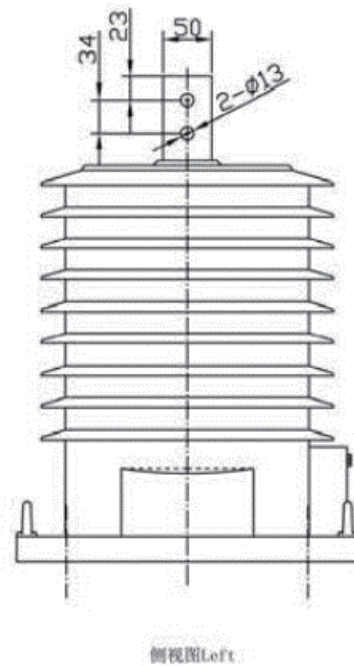
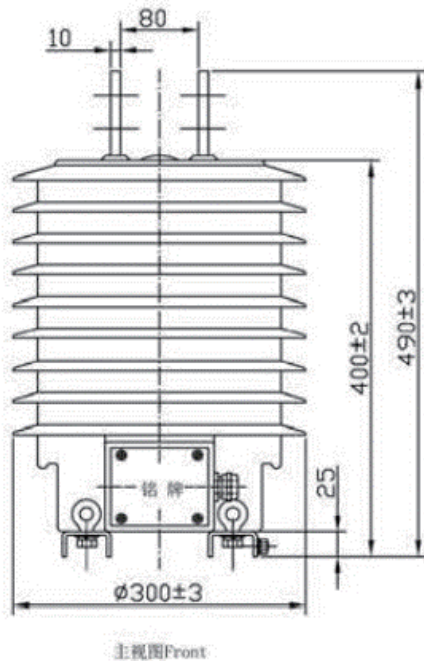
1. Weight: 62KG;
2. Using life: 30 years;
3. Rated voltages up to 24 kV;
4. 15KV 17.5KV 20KV 24KV Outdoor;
5. Secondary current output 5A or 1A;
6. Surface creepage distance more than 490mm;
7. Material: Epoxy(HCEP) + outdoor silicone cover;
8. Rated basic insulation levels (BIL) up to 125 kV;
9. Reasonable structure and robust construction;
10. Standard & Special High Accuracy metering classes;
11. Accuracy class: 0.2S 0.2, 0.5S, 0.5, 1, 5P20, 5P10, 10P20;
12. Convenient installation, suitable for installation in any location;
13. IEC60044-1, IEC 61869-2, GB/T 20840.1,2 & ANSI/IEEE C57.13 Standards;



## Applications

1. Rail way;
2. Coal Mine;
3. Power plant;
4. Power Meter;
5. Power station;
6. Energy meter;
7. Oil, gas company;
8. Distribution system;
9. Electric Power Bureau;
10. Measuring instrument;
11. Primary metering cabinets;
12. MV Power Quality Analyzer;
13. Industrial and mining enterprises;
14. Substation metering and relaying;

## Outline drawing



## Parameters

Technical parameters	
Standards	IEC60044; IEC 61869; ANSI/IEEE C57.13, GB/T 20840.1,2
Accuracy Class	0.2s, 0.2, 0.5s, 0.5, 1, 10P10, 10P15, 5P20, 5P10
Rated Voltage	24KV, 20KV, 17.5KV, 15KV
Rated primary current	5-2000A
Rated load	≤40VA
Rated frequency	50Hz or 60Hz
Rated secondary current	5A or 1A
Rated short-time thermal current	60kA, 1S
Rated dynamic current	150kA
Rated insulation level	24/65/125KV
Using type	Outdoor
Application	Measurement and Protection
Insulation class	E
FS	≤10
Surface creepage distance (mm)	490
Mechanical parameters	
Material	Epoxy resin+silicone sleeve
Weight (kg)	62
Operating conditions	
Operating temperature	-25°C to +55°C
Daily average temp	<+40°C
Storage temperature	-40°C to +70°C
Altitude	<3000 meters
Condition	No existence of severely begrimed, erosive and radioactive gas in the air. Permission of long-term operation under rated current.

## Technical Data

Rated Voltage(KV)	Rated transformation ratio	Accuracy class and relative rated output(VA)		Rated short-time thermal current (kA/S)	Rated dynamic current (kA)
		class combination	Rated output(VA)		
20	100-75/5	0.2 0.5 0.2S 0.5S	10 15 10 15	100×1n	250×1n
	100/5			10	25
	150/5			15	37.5
	200/5			20	50
	300-2000/5			60	150
	10-75/5	0.2/5P20 0.5/5P20 0.2S/5P20 0.5S/5P20	10/15 15/15 10/15 15/15	100×1n	250×1n
	100/5			10	25
	150/5			15	37.5
	200/5			20	50
	300-2000/5			60	150